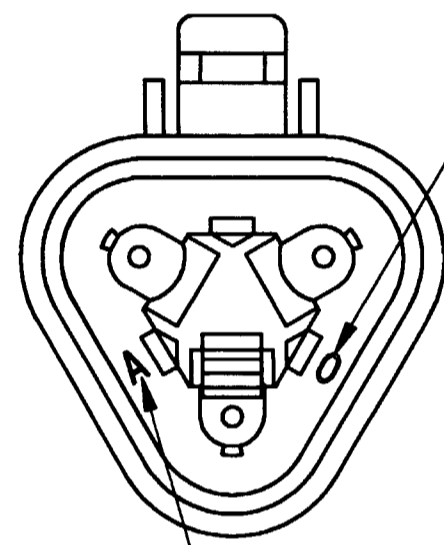
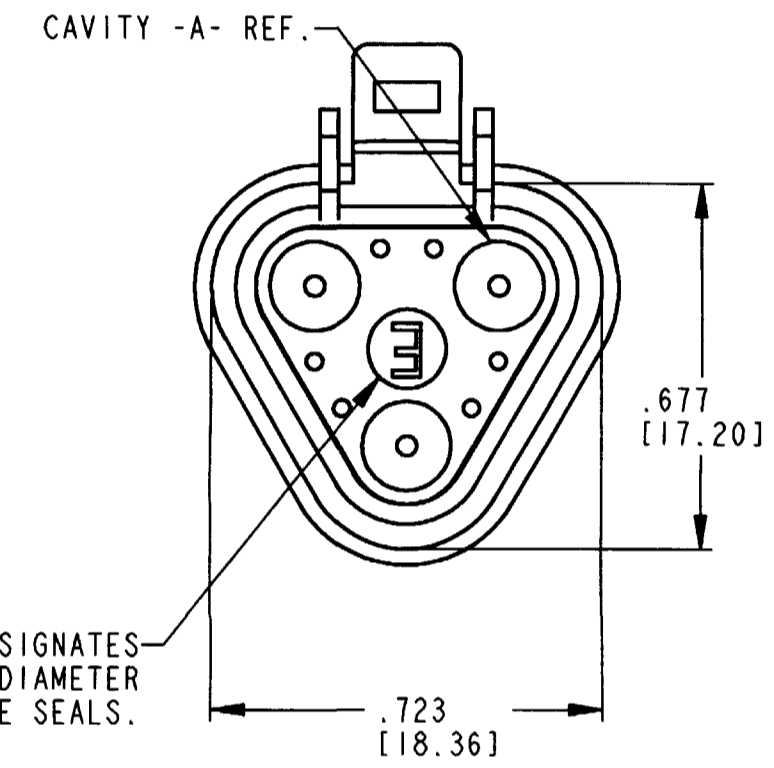
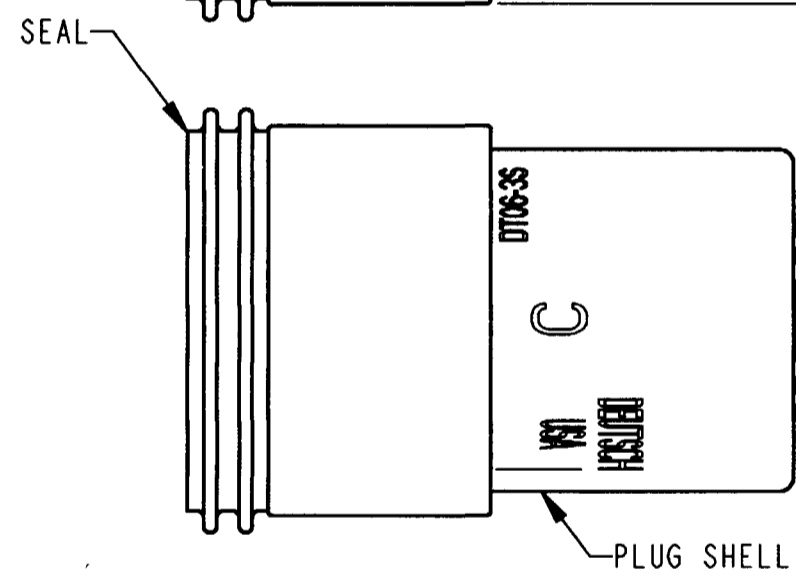
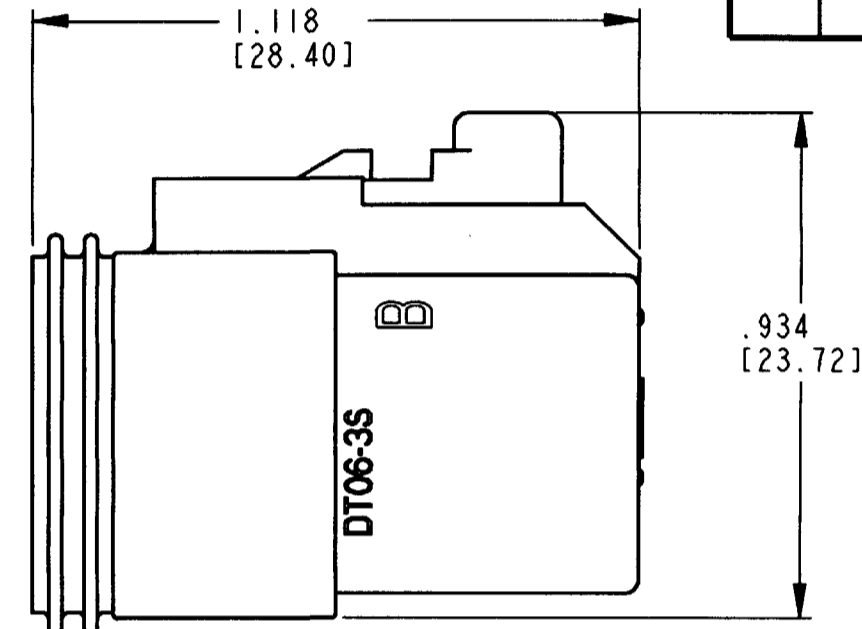


DATE CODE:
YEAR REPRESENTED BY LAST
NUMERICAL DIGIT (EX: 0=2000).



DATE CODE:
SEQUENTIAL ALPHA CHARACTERS
REPRESENT MONTH (EX: A=JANUARY).



REV
A DT06-3S-C015

REVISIONS			
SYM	DESCRIPTION	DATE	APPROVED
NC	NEW RELEASE PER E.O. A14555	2/14/94	JA
A	REVISED PER E.O. P16049	6-3-99	RDR

- NOTES:
1. ALL DIMENSIONS ARE IN INCHES [MILLIMETERS].
 2. ALL DIMENSIONS ARE $\pm .025$ [0.63] UNLESS OTHERWISE SPECIFIED.
 3. FOR CONTACTS AND WIRE PERFORMANCE AND APPLICATION CHARACTERISTICS SEE ENVELOPE DRAWING 0425-015-0000 AND 0425-017-0000.
 4. THIS PLUG MATES WITH THE DT04-3P-**** RECEPTACLE (**** = ALL MODIFICATIONS). CONSULT FACTORY FOR MODIFICATIONS.
 5. THIS CONNECTOR CAN PASS THRU A ONE INCH HOLE [25.44].

CONTACT SIZE	MIN. INSUL O.D.	MAX. INSUL O.D.	WIRE RANGE [mm ²]
16	.053 [1.35]	.120 [3.05]	14-20 AWG [2.0-0.5]

SIGNATURE & DATE	
DR	D. SPENCER 29 JAN 99
CHK	<i>[Signature]</i> 6/3/99
PE	<i>[Signature]</i> 6/3/99
APPD	R. Reed 6-3-99
SCALE	3:1 WT

3 WAY PLUG
THIN WALL WIRE SEALS
DT SERIES

ENVELOPE

CP	MATL. CODE
The Deutsch Company DEUTSCH I.P.D. 3850 INDUSTRIAL AVE. HEMET, CALIF. 92545	
B	DT06-3S-C015
DWG SIZE	CODE 11139 SHEET OF